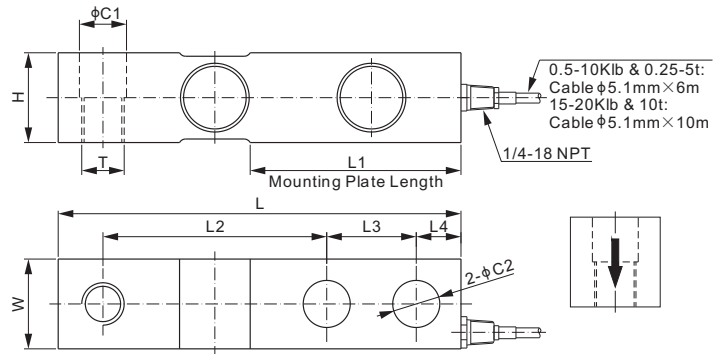


# 563YS; 563YS30



## Stainless Steel



SINGLE ENDED BEAMS



RATED CAPACITY	DIMENSIONS										
	C1	C2	H	L	L1	L2	L3	L4	W	T	
<b>lb/inches</b>											
500-4,000; SE5,000	0.53	0.53	1.22	5.12	2.25	3.00	1.00	0.62	1.22	1/2-20 UNF-2B	
5,000-10,000	0.79	0.79	1.50	6.75	3.00	3.75	1.50	0.75	1.50	3/4-16 UNF-2B	
15,000-20,000	1.03	1.03	2.00	8.75	4.00	4.75	2.00	1.00	2.00	1-14 UNS-2B	
<b>kg/mm</b>											
250-2,000	13.5	13.5	31.0	130.0	57.2	76.2	25.4	15.8	31.0	M12X1.75	
3,000-5,000	20.0	20.0	38.1	171.5	76.2	95.3	38.1	19.1	38.1	M18X1.50	
10,000	26.2	26.2	50.8	222.3	101.6	120.7	50.8	25.4	50.8	M24X2.00	

SPECIFICATIONS				
<b>Full Scale Output</b>	563YS: 2.0 mV/V ± 0.25%; 563YS30: 3.0 mV/V ± 0.25%		<b>Recommended Excitation</b>	10V (15V Maximum)
<b>Zero Balance</b>	± 0.02 mV/V		<b>Insulation Resistance</b>	>2 [ 50V DC ] GΩ
<b>Non-linearity</b>	< ± 0.023%		<b>Compensated Temperature Range</b>	-10°C to 50°C / 14°F to 122°F
<b>Repeatability</b>	< ± 0.023%		<b>Safe Overload</b>	150% of full scale
<b>Hysteresis Error</b>	< ± 0.023%		<b>Breaking Overload</b>	300% of full scale
<b>Creep in 30 min.</b>	< ± 0.030%		<b>Seal Type / IP Rating</b>	Welded Seal / IP68
<b>Input Resistance</b>	350Ω ± 7		<b>Cable Color Code</b>	Exc+ Red      Exc- Black
<b>Output Resistance</b>	350Ω ± 3			Sig+ Green    Sig- White
<b>Element Material</b>	17-4PH Stainless Steel			

### WEIGH MODULE

Model	Page
563YSM3-02	160

### PART NUMBER\*

Rated Capacity	Part No.	Weight (kg) Approx.
500lb	563YS-500lb	1.0
	563YS30GS-500lb	1.0
1Klb	563YS-1Klb	1.0
	563YS30-1Klb	1.0
2.5Klb	563YS-2.5Klb	1.0
	563YS30-2.5Klb	1.0
4Klb	563YS-4Klb	1.0
	563YS30-4Klb	1.0
SE5Klb	563YS-SE5Klb	1.0
	563YS30-SE5Klb	1.0
5Klb	563YS-5Klb	1.8
	563YS30-5Klb	1.8
10Klb	563YS-10Klb	1.8
	563YS30-10Klb	1.8
15Klb	563YS-15Klb	4.1
	563YS30-15Klb	4.1
20Klb	563YS-20Klb	4.1
	563YS30-20Klb	4.1
250kg	563YS-250kg	1.0
500kg	563YS-500kg	1.0
1t	563YS-1t	1.0
2t	563YS-2t	1.0
3t	563YS-3t	1.8
5t	563YS-5t	1.8
10t	563YS-10t	4.1

- Environmentally sealed for 563YS30, capacity=500lb  
 - SE refers to small envelope

### INTERCHANGEABLE REFERENCE

Manufacturer	Model
<b>563YS</b>	
Coti Global	CG-23-SSW-02
Rice Lake	RL35082
Rice Lake	RLHTO
Vishay Sensortronics	65083S
Vishay Tedeo-Huntleigh	3510-kg

Manufacturer	Model
<b>563YS30</b>	
Coti Global	CG-23-SSW-03
HBM	B35*
HBM	H35**
Mettler-Toledo	0793
Rice Lake	RL35023S*
Rice Lake	RL35083
Rice Lake	RL39123
Vishay Celtron	SQB-HSS
Vishay Revere Transducers	9123
Vishay Sensortronics	65023S*
Vishay Sensortronics	65023SS***
Vishay Sensortronics	65083
Vishay Tedeo-Huntleigh	3510-lbs

\* Environmentally sealed  
 \*\* Welded seal  
 \*\*\* Environmentally sealed for capacities 1Klb-10Klb

NTEP	563YS, 500lb-2.5Klb & 250kg-1t: NTEP 1:5 000 Class III, S;
	NTEP 1:9 500 Class III, M
	4Klb-20Klb & 2t-5t: NTEP 1:6 000 Class III, S;
	NTEP 1:10 000 Class III, M
OIML	563YS30, 500lb-2.5Klb: NTEP 1:5 000 Class III, S;
	NTEP 1:9 500 Class III, M
	4Klb-20Klb: NTEP 1:6 000 Class III, S;
	NTEP 1:10 000 Class III, M
OIML	563YS, 1Klb-5Klb & 500kg-2t: OIML MAA C5, Y=26 000;
	10Klb-20Klb & 3t-10t: OIML MAA C6, Y=8 500;
	563YS30, 1Klb-5Klb: OIML MAA C4, Y=15 000;
	10Klb-20Klb: OIML MAA C6, Y=8 500;