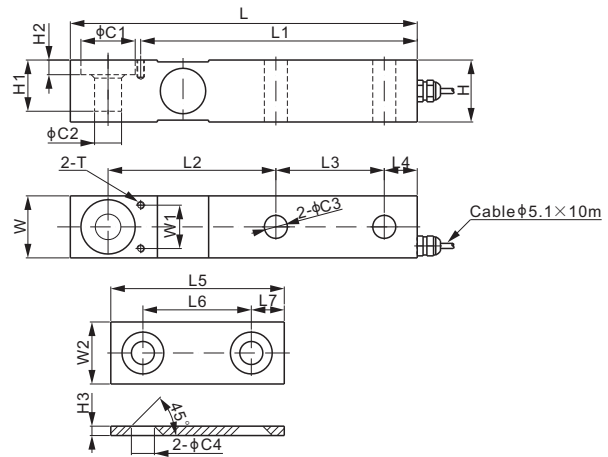


563YHMS



Alloy Steel



SINGLE ENDED BEAMS



DIMENSIONS

RATED CAPACITY	C1	C2	C3	C4	H	H1	H2	H3	L	L1	L2	L3	L4	L5	L6	L7	W	W1	W2	T
Klb/inches																				
1-5	1.25	0.62	0.53	0.53	1.43	1.18	0.34	0.22	8.00	6.38	3.87	2.50	0.76	4.00	2.50	0.76	1.43	1.00	1.43	8-32 UNC Depth0.37
10	1.50	0.87	0.84	0.84	1.70	1.08	0.39	0.22	9.25	7.51	4.87	2.62	0.89	4.40	2.62	0.89	1.70	1.12	1.70	10-32 UNF Depth0.37
20	1.87	1.25	1.06	1.06	2.37	0.82	0.37	0.22	11.0	8.50	5.50	3.25	1.00	5.24	3.25	1.00	2.37	1.75	2.37	10-32 UNF Depth0.37
kg/mm (conversion of above dimensions)																				
453.6-2,268	31.8	15.8	13.5	13.5	36.3	30.0	8.6	5.5	203.2	162.0	98.3	63.5	19.3	101.6	63.5	19.3	36.3	25.4	36.3	8-32 UNC Depth9.4
4,535.9	38.1	22.1	21.3	21.3	43.2	27.4	9.9	5.5	235.0	190.8	123.7	66.6	22.6	111.8	66.6	22.6	43.2	28.5	43.2	10-32 UNF Depth9.4
9,071.8	47.5	31.8	26.9	26.9	60.2	20.8	9.4	5.5	279.4	215.8	139.7	82.6	25.3	133.2	82.6	25.3	60.2	44.5	60.2	10-32 UNF Depth9.4

SPECIFICATIONS

Full Scale Output	2.0 mV/V ± 0.07%	Recommended Excitation	10V (15V Maximum)
Zero Balance	± 0.02 mV/V	Insulation Resistance	> 2 [50V DC] GΩ
Non-linearity	< ± 0.017%	Compensated Temperature Range	-10°C to 50°C / 14°F to 122°F
Repeatability	< ± 0.017%	Safe Overload	150% of full scale
Hysteresis Error	< ± 0.017%	Breaking Overload	300% of full scale
Creep in 30 min.	< ± 0.023%	Seal Type / IP Rating	Environmentally Sealed / IP67
Input Resistance	350Ω ± 7	Cable Color Code	Exc+ Red Exc- Black
Output Resistance	350Ω ± 3		Sig+ Green Sig- White
Element Material	Alloy Steel, Nickel Plated		Shield Bare

PART NUMBER*

Rated Capacity	Part No.	Weight (kg) Approx.
1Klb	563YHMS-1Klb	2.5
3Klb	563YHMS-3Klb	2.5
5Klb	563YHMS-5Klb	2.5
10Klb	563YHMS-10Klb	3.8
20Klb	563YHMS-20Klb	7.5

1Klb-3Klb: NTEP 1:5 000 Class III, Single Cell;
 NTEP 1:9 500 Class III, Multiple Cell
 5Klb-20Klb: NTEP 1:6 000 Class III, Single Cell;
 NTEP 1:10 000 Class III, Multiple Cell
 1Klb-5Klb: OIML MAA C5, Y=26 000;
 10Klb-20Klb: OIML MAA C6, Y=8 500

* ATEX, FM, IECEx approved versions carry the "-Ex" suffix.

INTERCHANGEABLE REFERENCE

Manufacturer	Model
Coti Global	CG-SB2L/SB2M
Coti Global	CG-743
Mettler-Toledo	Masstron ML4311~4449
Rice Lake	RLSB2MLW*
Rice Lake	RLSB2L**

* RLSB2MLW is stainless steel for capacities 1Klb-20Klb;
 ** RLSB2L is alloy steel for capacities 35Klb & 45Klb.