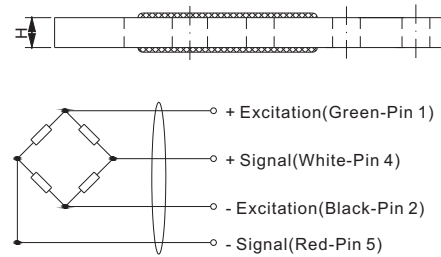
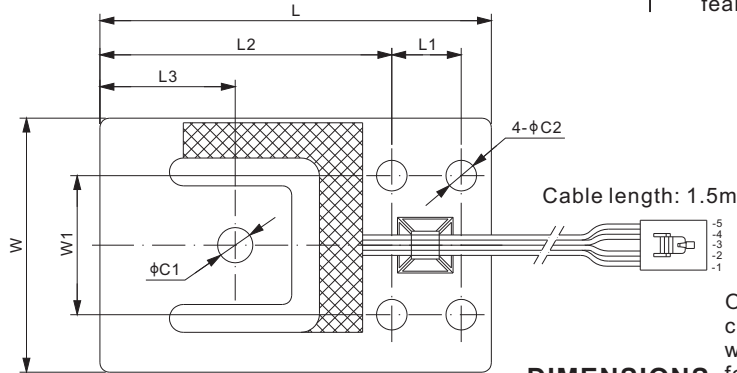


Features:

- Low Profile-Provides ability for scales of roughly 25mm height, in various rectangular shapes / sizes
 - Current Calibrated: No J-Box w/Trim Pot required
Direct corner replacement w/o need for re-calibration
 - Rated output of 0.9mV/V±0.1%: Pre-derated for ease of planar beam selection for scale capacity
- EX: For a 60kg scale capacity-simply use 4x202UA-15kg's
Enables full weight capacity to roll up on scale edge w/o fear of overload



Optional: with a 4 conductor ribbon cable and Female connector: 104257-4 + Crimp:1-104481-0 (interchange with AMP#103957-4). Part number needs to add suffix-02 for this option.

DIMENSIONS

RATED CAPACITY	C1	C2	H	L	L1	L2	L3	W	W1
kg/mm									
3.75	5.1	5.1	2.0	70.0	14.0	51.1	23.1	39.0	27.8
7.5	5.1	5.1	3.0	70.0	14.0	51.1	23.1	39.0	27.8
15	7.6	5.1	4.1	70.0	14.0	51.1	23.1	39.0	27.8
37.5	7.6	6.6	4.8	76.2	15.0	55.2	25.9	44.5	30.0
75	7.6	6.6	6.5	84.5	15.0	63.0	29.2	54.8	30.0
150	9.1	8.1	7.9	107.3	22.9	76.6	30.7	69.9	44.5
375	9.1	9.8	12.7	119.4	25.4	84.9	32.3	76.1	50.8

SPECIFICATIONS

Full Scale Output	0.9 mV/V ± 0.1%	Element Material	Aluminum
Calibration in mV/V/Ω	± 0.05%	Recommended Excitation	10V (15V Maximum)
Zero Balance	± 0.02 mV/V	Insulation Resistance	>2 [50V DC] GΩ
Non-linearity	< ± 0.020%	Nominal Temperature Range	-10°C to 40°C / 14°F to 104°F
Repeatability	< ± 0.017%	Safe Overload	150% of full scale
Hysteresis Error	< ± 0.015%	Breaking Overload	300% of full scale
Creep in 30 min.	< ± 0.015%	Seal Type / IP Rating	Environmentally Sealed / IP65
Input Resistance	1190Ω ± 10	Cable Color Code	Exc+ Green Exc- Black Sig+ White Sig- Red
Output Resistance	1000Ω ± 10		

PART NUMBER*

Rated Capacity	Free end cable	With ribbon cable & connector	Weight (kg) Approx.
3.75kg.....	202UA-3.75kg.....	202UA-3.75kg-02.....	0.1
7.5kg.....	202UA-7.5kg.....	202UA-7.5kg-02.....	0.1
15kg.....	202UA-15kg.....	202UA-15kg-02.....	0.1
37.5kg.....	202UA-37.5kg.....	202UA-37.5kg-02.....	0.1
75kg.....	202UA-75kg.....	202UA-75kg-02.....	0.1
150kg.....	202UA-150kg.....	202UA-150kg-02.....	0.2
375kg.....	202UA-375kg.....	202UA-375kg-02.....	0.4

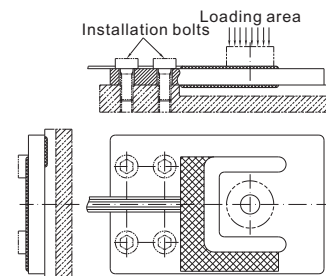
* ATEX, FM, IECEx approved versions carry the "-Ex" suffix.

INTERCHANGEABLE PRODUCTS

Manufacturer	Model
Flintec.....	PB
Rice lake.....	RL BLP

www.anyload.com

INSTALLATION DRAWING



75kg-375kg: OIML MAA C3, Y=28 000

For further available P/N's & specifications per OIML classes, please contact us.