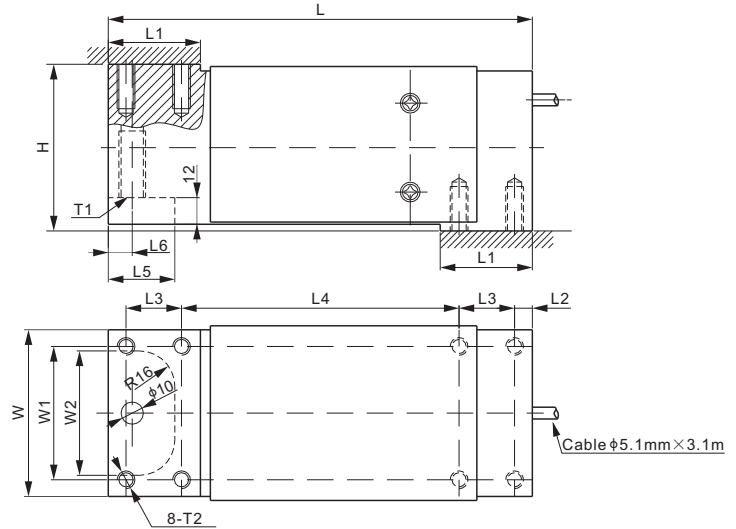


108UA; 108UAUN



Aluminum



DIMENSIONS

RATED CAPACITY	H	L	L1	L2	L3	L4	L5	L6	W	W1	W2	T1	T2
108UA: kg/mm													
50-1,000	75.0	191.0	41.5	8.0	25.0	125.0	30.0	10.8	75.0	60.0	56.0	M12 Depth30	M8 Depth20
lb/inches (conversion of above dimensions)													
110.2-2,204.6	2.95	7.52	1.63	0.31	0.98	4.92	1.18	0.43	2.89	2.36	2.20	M12 Depth1.2	M8 Depth0.8
108UAUN: kg/mm													
30-1,500	75.0	191.0	41.5	8.0	25.0	125.0	30.0	10.8	75.0	60.0	56.0	$\frac{1}{2}$ -20 UNF Depth30	$\frac{5}{16}$ -18 UNC Depth20
lb/inches (conversion of above dimensions)													
66.1-3,306.9	2.95	7.52	1.63	0.31	0.98	4.92	1.18	0.43	2.89	2.36	2.20	$\frac{1}{2}$ -20 UNF Depth1.2	$\frac{5}{16}$ -18 UNC Depth0.8

SPECIFICATIONS

Full Scale Output	2.0 mV/V \pm 10%	Recommended Excitation	10V (15V Maximum)
Zero Balance	\pm 0.02 mV/V	Reference Max. Platform Size	750 \times 750 mm
Non-linearity	$<$ \pm 0.017%	Insulation Resistance	$>$ 2 [50V DC] G Ω
Repeatability	$<$ \pm 0.017%	Nominal Temperature Range	-10°C to 40°C / 14°F to 104°F
Hysteresis Error	$<$ \pm 0.017%	Safe Overload	150% of full scale
Creep in 30 min.	$<$ \pm 0.023%	Breaking Overload	300% of full scale
Input Resistance	415 Ω \pm 15	Seal Type / IP Rating	Environmentally Sealed / IP66
Output Resistance	350 Ω \pm 3	Cable Color Code	Exc+ Red Exc- Black Sig+ Green Sig- White Shield Bare
Element Material	Aluminum		

PART NUMBER*

Rated Capacity	Part No.	Weight Approx. (kg)
30kg.....	108UAUN-30kg-NP.....	2.7
50kg.....	108UA-50kg	2.7
	108UAUN-50kg.....	2.7
100kg.....	108UA-100kg	2.7
	108UAUN-100kg.....	2.7
150kg.....	108UA-150kg	2.7
	108UAUN-150kg.....	2.7
200kg.....	108UA-200kg	2.7
	108UAUN-200kg.....	2.7
300kg.....	108UA-300kg	2.7
	108UAUN-300kg.....	2.7
500kg.....	108UA-500kg	2.7
	108UAUN-500kg.....	2.7
635kg.....	108UA-635kg	2.7
	108UAUN-635kg.....	2.7
700kg.....	108UA-700kg	2.7
	108UAUN-700kg.....	2.7
1t.....	108UA-1t.....	2.7
	108UAUN-1t.....	2.7
1.5t.....	108UAUN-1.5t.....	2.7

INTERCHANGEABLE REFERENCE

108UAUN Brand	Model
ANYLOAD.....	651BAUN
Coti Global.....	CG-50
FLINTEC.....	PCB*
HBM.....	PW12B
HBM.....	PW12
Rice Lake.....	RL1250
Vishay Celtron.....	LOC
Vishay Revere Transducers.....	652
Vishay Sensortronics.....	60060
Vishay TedeA-Huntleigh.....	1250

* Flintec PCB is of stainless steel construction, hermetically sealed
Flintec PCB has 3 version: PCB, PCBB, PCBC, Anyload's 108UAUN is interchangeable to PCB version.

30kg-500kg: NTEP 1:5 000 Class III, Single Cell;
635kg-1.5t: NTEP 1:4 000 Class III, Single Cell

30kg: OIML MAA C6, Y=20 000;
50kg-500kg: OIML MAA C6, Y=29 000;
635kg-1.5t: OIML MAA C4, Y=4 000

For further available P/N's & specifications per NTEP/OIML classes, please contact us.

* ATEX, FM, IECEx approved versions carry the "-Ex" suffix.