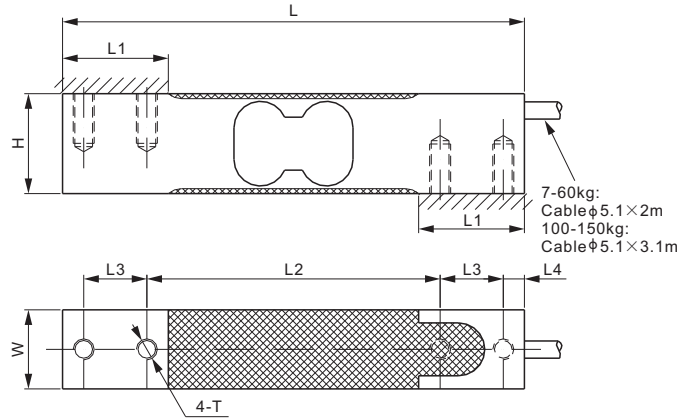


## Stainless Steel



### DIMENSIONS

RATED CAPACITY	H	L	L1	L2	L3	L4	W	T
<b>kg/mm</b>								
7-15	30.2	139.7	32.0	88.7	19.1	6.4	19.1	1/4-20UNC-2B Depth15
30-60	30.2	139.7	32.0	88.7	19.1	6.4	23.9	1/4-20UNC-2B Depth15
100-150	30.7	139.7	38.0	79.2	22.3	7.8	30.2	3/8-16UNC-2B Depth15
<b>lb/inches</b> (conversion of above dimensions)								
15.4-33.1	1.19	5.50	1.26	3.49	0.75	0.25	0.75	1/4-20UNC-2B Depth0.6
66.1-132.3	1.19	5.50	1.26	3.49	0.75	0.25	0.94	1/4-20UNC-2B Depth0.6
220.5-330.7	1.21	5.50	1.50	3.12	0.88	0.31	1.19	3/8-16UNC-2B Depth0.6

### SPECIFICATIONS

<b>Full Scale Output</b>	2.0 mV/V $\pm 10\%$	<b>Recommended Excitation</b>	10V (15V Maximum)
<b>Zero Balance</b>	$\pm 0.02$ mV/V	<b>Reference Max. Platform Size</b>	400x400 mm
<b>Non-linearity</b>	$< \pm 0.017\%$	<b>Insulation Resistance</b>	$> 2 [ 50V DC ] G\Omega$
<b>Repeatability</b>	$< \pm 0.017\%$	<b>Compensated Temperature Range</b>	-10°C to 50°C / 14°F to 122°F
<b>Hysteresis Error</b>	$< \pm 0.017\%$	<b>Safe Overload</b>	150% of full scale
<b>Creep in 30 min.</b>	$< \pm 0.023\%$	<b>Breaking Overload</b>	300% of full scale
<b>Input Resistance</b>	385 $\Omega \pm 15$	<b>Seal Type / IP Rating</b>	Environmentally Sealed / IP66
<b>Output Resistance</b>	350 $\Omega \pm 3$	<b>Cable Color Code</b>	Exc+ Red    Exc- Black Sig+ Green    Sig- White    Shield Bare
<b>Element Material</b>	2Cr13 Stainless Steel		

### PART NUMBER\*

Rated Capacity	Part No.	Weight (kg) Approx.
7kg.....	108TSLL-7kg-YZ.....	0.7
10kg.....	108TSLL-10kg-YZ.....	0.7
15kg.....	108TSLL-15kg-YZ.....	0.7
30kg.....	108TSLL-30kg-YZ.....	0.7
60kg.....	108TSLL-60kg-YZ.....	0.7
100kg.....	108TSLL-100kg-YZ.....	0.7
150kg.....	108TSLL-150kg-YZ.....	0.7

\* ATEX, FM, IECEx approved versions carry the "-Ex" suffix.

### INTERCHANGEABLE REFERENCE

Manufacturer	Model
Coti Global.....	CG-PWS
HBM.....	PWS
Rice Lake.....	RL1380