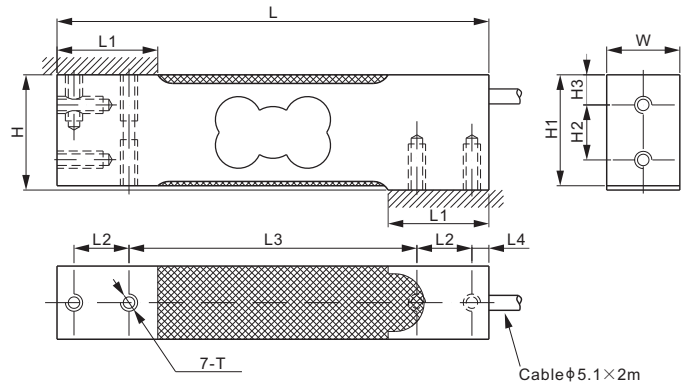
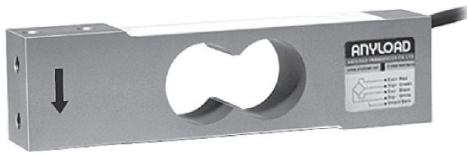


# 108TA; 108TAUN



## Aluminum



### DIMENSIONS

RATED CAPACITY	H	H1	H2	H3	L	L1	L2	L3	L4	W	T
<b>108TA, 108TA-A1, 108TA-A2:</b>											
kg/mm											
3-200	40.0	38.5	19.1	10.5	150.0	35.0	19.1	100.0	5.9	25.4	M6 Depth16
lb/inches (conversion of above dimensions)											
6.61-440.92	1.57	1.52	0.75	0.41	5.91	1.38	0.75	3.94	0.23	1.00	M6 Depth0.6
<b>108TAUN, 108TAUN-A1, 108TAUN-A2:</b>											
kg/mm											
3-200	40.0	38.5	19.1	10.5	150.0	35.0	19.1	100.0	5.9	25.4	1/4-20UNC-2B Depth16
lb/inches (conversion of above dimensions)											
6.61-440.92	1.57	1.52	0.75	0.41	5.91	1.38	0.75	3.94	0.23	1.00	1/4-20UNC-2B Depth0.6

### SPECIFICATIONS

Maximum Capacity (E <sub>max</sub> )	kg	3-200	5-200	5-200
Accuracy class according to NTEP Class III S		1:3000	1:4000	1:5000
Maximum number or verification interval (n <sub>max</sub> )		3000	4000	5000
Y		12300		
Temperature effect on zero balance	%*Cn/K	±0.00114		
Temperature effect on sensitivity	%*Cn/K	±0.0012	±0.000875	±0.0007
Non-linearity	%*Cn	±0.017	±0.010	±0.0075
Hysteresis Error	%*Cn	±0.017	±0.012	±0.010
Creep error (30min)/DR	%*Cn	±0.017	±0.012	±0.010
Full Scale Output (C <sub>n</sub> )	mV/V	2 ± 10%		
Zero Balance	mV/V	±0.02		
Recommended voltage	V	10 (15 Maximum)		
Input Resistance	Ω	415 ± 15		
Output Resistance	Ω	350 ± 3		
insulation resistance [50V DC]	GΩ	>2		
Safe overload [E <sub>lim</sub> ]	%*E <sub>max</sub>	150		
Breaking overload	%*E <sub>max</sub>	300		
Safe side load	%*E <sub>max</sub>	100		
Nominal temperature range	°C / °F	-10 to 50 / 14 to 122		
Element Material		Aluminum		
Seal type / IP rating		Environmentally Sealed / IP66		
Cable color code		Exc+ Red Exc- Black Sig+ Green Sig- White		

SINGLE POINTS

### PART NUMBER\*

#### Metric thread, 1:3000 accuracy

Rated Capacity	Part No.	Weight Approx. (kg)
3kg	108TA-3kg	0.4
5kg	108TA-5kg	0.4
7kg	108TA-7kg	0.4
10kg	108TA-10kg	0.4
15kg	108TA-15kg	0.4
20kg	108TA-20kg	0.4
30kg	108TA-30kg	0.4
50kg	108TA-50kg	0.4
75kg	108TA-75kg	0.4
100kg	108TA-100kg	0.4
150kg	108TA-150kg	0.4
200kg	108TA-200kg	0.4

#### Metric thread, 1:4000 accuracy

Rated Capacity	Part No.	Weight Approx. (kg)
5kg	108TA-5kg-A1	0.4
7kg	108TA-7kg-A1	0.4
10kg	108TA-10kg-A1	0.4
15kg	108TA-15kg-A1	0.4
20kg	108TA-20kg-A1	0.4
30kg	108TA-30kg-A1	0.4
50kg	108TA-50kg-A1	0.4
75kg	108TA-75kg-A1	0.4
100kg	108TA-100kg-A1	0.4
150kg	108TA-150kg-A1	0.4
200kg	108TA-200kg-A1	0.4

#### Metric thread, 1:5000 accuracy

Rated Capacity	Part No.	Weight Approx. (kg)
5kg	108TA-5kg-A2	0.4
7kg	108TA-7kg-A2	0.4
10kg	108TA-10kg-A2	0.4
15kg	108TA-15kg-A2	0.4
20kg	108TA-20kg-A2	0.4
30kg	108TA-30kg-A2	0.4
50kg	108TA-50kg-A2	0.4
75kg	108TA-75kg-A2	0.4
100kg	108TA-100kg-A2	0.4
150kg	108TA-150kg-A2	0.4
200kg	108TA-200kg-A2	0.4

\* ATEX, FM, IECEx approved versions carry the "-Ex" suffix.

### INTERCHANGEABLE PRODUCTS

Brand	Model
<b>108TA, 108TA-A1, 108TA-A2</b>	
Flintec	PC42 (20-150kg)*
Vishay Revere Transducers	642C
Vishay Tedeo-Huntleigh	1042(metric threads)

\* Flintec PC42 has a M8 mounting hole

### PART NUMBER\*

#### Imperial thread, 1:3000 accuracy

Rated Capacity	Part No.	Weight Approx. (kg)
3kg	108TAUN-3kg	0.4
5kg	108TAUN-5kg	0.4
7kg	108TAUN-7kg	0.4
10kg	108TAUN-10kg	0.4
15kg	108TAUN-15kg	0.4
20kg	108TAUN-20kg	0.4
30kg	108TAUN-30kg	0.4
50kg	108TAUN-50kg	0.4
75kg	108TAUN-75kg	0.4
100kg	108TAUN-100kg	0.4
150kg	108TAUN-150kg	0.4
200kg	108TAUN-200kg	0.4

#### Imperial thread, 1:4000 accuracy

Rated Capacity	Part No.	Weight Approx. (kg)
5kg	108TAUN-5kg-A1	0.4
7kg	108TAUN-7kg-A1	0.4
10kg	108TAUN-10kg-A1	0.4
15kg	108TAUN-15kg-A1	0.4
20kg	108TAUN-20kg-A1	0.4
30kg	108TAUN-30kg-A1	0.4
50kg	108TAUN-50kg-A1	0.4
75kg	108TAUN-75kg-A1	0.4
100kg	108TAUN-100kg-A1	0.4
150kg	108TAUN-150kg-A1	0.4
200kg	108TAUN-200kg-A1	0.4

#### Imperial thread, 1:5000 accuracy

Rated Capacity	Part No.	Weight Approx. (kg)
5kg	108TAUN-5kg-A2	0.4
7kg	108TAUN-7kg-A2	0.4
10kg	108TAUN-10kg-A2	0.4
15kg	108TAUN-15kg-A2	0.4
20kg	108TAUN-20kg-A2	0.4
30kg	108TAUN-30kg-A2	0.4
50kg	108TAUN-50kg-A2	0.4
75kg	108TAUN-75kg-A2	0.4
100kg	108TAUN-100kg-A2	0.4
150kg	108TAUN-150kg-A2	0.4
200kg	108TAUN-200kg-A2	0.4

### INTERCHANGEABLE PRODUCTS

Brand	Model
<b>108TAUN, 108TAUN-A1, 108TAUN-A2</b>	
Cardinal	TSP
Coti Global	CG-42
HBM	SP4
Rice Lake	RL1042
Rice Lake	RLSP4
Vishay Revere Transducers	642
Vishay Tedeo-Huntleigh	1042(imperial threads)



NTEP 1:5 000 Class III, Single Cell



5kg-30kg: OIML MAA C7.5, Y=20 000;  
50kg-200kg: OIML MAA C6, Y=29 000

For further definition of P/N's & specifications per NTEP/OIML classes, please contact us.