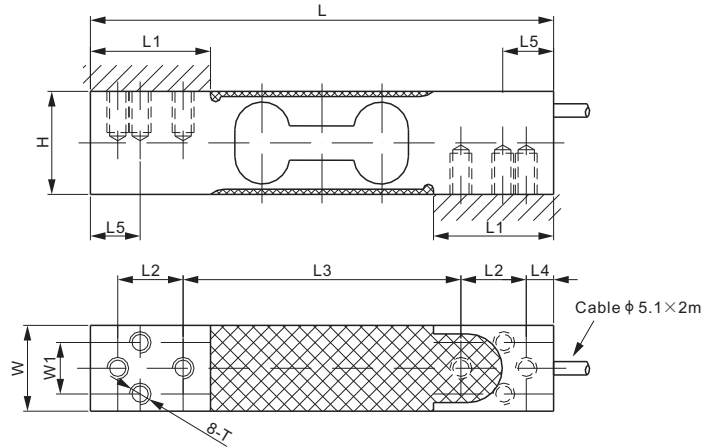


108KS; 108KSUN

Stainless Steel



DIMENSIONS

RATED CAPACITY	H	L	L1	L2	L3	L4	L5	W	W1	T
108KS:										
kg/mm										
4-150	30.0	135.0	35.0	19.1	81.0	8.0	14.5	25.0	15.0	M6 Depth12
lb/inches (conversion of above dimensions)										
8.8-330.7	1.18	5.31	1.38	0.75	3.19	0.31	0.57	0.98	0.59	M6 Depth0.47
108KSUN:										
kg/mm										
4-150	30.0	135.0	35.0	19.1	81.0	8.0	14.5	25.0	15.0	1/4-20UNC-2B Depth12
lb/inches (conversion of above dimensions)										
8.8-330.7	1.18	5.31	1.38	0.75	3.19	0.31	0.57	0.98	0.59	1/4-20UNC-2B Depth0.47

SPECIFICATIONS

Full Scale Output	2.0 mV/V ± 10%	Recommended Excitation	10V (15V Maximum)
Zero Balance	± 0.02 mV/V	Reference Max. Platform Size	400 × 400 mm
Non-linearity	< ± 0.017%	Insulation Resistance	> 2 [50V DC] G Ω
Repeatability	< ± 0.017%	Compensated Temperature Range	-10°C to 50°C / 14°F to 122°F
Hysteresis Error	< ± 0.017%	Safe Overload	150% of full scale
Creep in 30 min.	< ± 0.023%	Breaking Overload	300% of full scale
Input Resistance	385 Ω ± 15	Seal Type / IP Rating	Environmentally Sealed / IP66
Output Resistance	350 Ω ± 3	Cable Color Code	Exc+ Red Exc- Black Sig+ Green Sig- White Shield Bare
Element Material	2Cr13 Stainless Steel		

PART NUMBER*

Rated Capacity	Part No.	Weight (kg) Approx.
4kg	108KS-4kg-YZ	0.65
	108KSUN-4kg-YZ	0.65
7kg	108KS-7kg-YZ	0.65
	108KSUN-7kg-YZ	0.65
10kg	108KS-10kg-YZ	0.65
	108KSUN-10kg-YZ	0.65
15kg	108KS-15kg-YZ	0.65
	108KSUN-15kg-YZ	0.65
20kg	108KS-20kg-YZ	0.65
	108KSUN-20kg-YZ	0.65
30kg	108KS-30kg-YZ	0.65
	108KSUN-30kg-YZ	0.65
50kg	108KS-50kg-YZ	0.65
	108KSUN-50kg-YZ	0.65
75kg	108KS-75kg-YZ	0.65
	108KSUN-75kg-YZ	0.65
100kg	108KS-100kg-YZ	0.65
	108KSUN-100kg-YZ	0.65
150kg	108KS-150kg-YZ	0.65
	108KSUN-150kg-YZ	0.65

INTERCHANGEABLE REFERENCE

Manufacturer	Model
108KS	
Flintec	PC30
Vishay Tedeia-Huntleigh	1130 (mounting hole: M6)
108KSUN	
Avery Weigh-Tronix	MK29
Coti Global	CG-1130
Vishay Tedeia-Huntleigh	1130 (mounting hole: 1/4"-20UNC)

* ATEX, FM, IECEx approved versions carry the "-Ex" suffix.