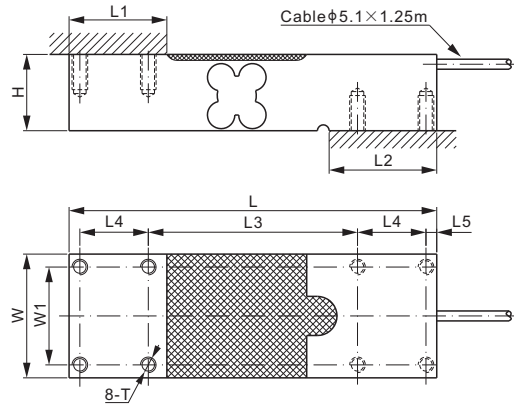
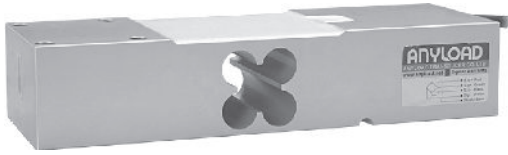


# 108HAUN



## Aluminum



### DIMENSIONS

RATED CAPACITY	H	L	L1	L2	L3	L4	L5	W	W1	T
<b>kg/mm</b>										
50-1,000	38.0	188	50.0	55.0	107	35.0	5.50	63.3	50.0	5/16-18 UNC Depth18
<b>lb/inches</b> (conversion of above dimensions)										
110.23-2,204.6	1.50	7.4	1.97	2.17	4.21	1.38	0.22	2.49	1.97	5/16-18 UNC Depth0.71

### SPECIFICATIONS

<b>Full Scale Output</b>	2.0 mV/V $\pm$ 0.25%	<b>Recommended Excitation</b>	10V (15V Maximum)
<b>Zero Balance</b>	$\pm$ 0.02 mV/V	<b>Reference Max. Platform Size</b>	550 $\times$ 600 mm
<b>Non-linearity</b>	$<$ $\pm$ 0.017%	<b>Insulation Resistance</b>	$>$ 2 [ 50V DC ] G $\Omega$
<b>Repeatability</b>	$<$ $\pm$ 0.017%	<b>Nominal Temperature Range</b>	-10°C to 40°C / 14°F to 104°F
<b>Hysteresis Error</b>	$<$ $\pm$ 0.017%	<b>Safe Overload</b>	150% of full scale
<b>Creep in 30 min.</b>	$<$ $\pm$ 0.023%	<b>Breaking Overload</b>	300% of full scale
<b>Input Resistance</b>	415 $\Omega$ $\pm$ 15	<b>Seal Type / IP Rating</b>	Environmentally Sealed / IP66
<b>Output Resistance</b>	350 $\Omega$ $\pm$ 3	<b>Cable Color Code</b>	Exc+ Red      Exc- Black Sig+ Green    Sig- White    Shield Bare
<b>Element Material</b>	Aluminum		

### PART NUMBER\*

Rated Capacity	Part No.	Weight Approx. (kg)
50kg	108HAUN-50kg	1.3
100kg	108HAUN-100kg	1.3
250kg	108HAUN-250kg	1.3
635kg	108HAUN-635kg	1.3
1t	108HAUN-1t	1.3

\*ATEX, FM, IECEx approved versions carry the "-Ex" suffix.

50kg-250kg: NTEP 1:5 000 Class III, Single Cell;  
635kg-1t: NTEP 1:4 000 Class III, Single Cell

50kg-250kg: OIML MAA C6, Y=29 000;  
635kg-1t: OIML MAA C4, Y=4 000

For further available P/N's & specifications per NTEP/OIML classes, please contact us.