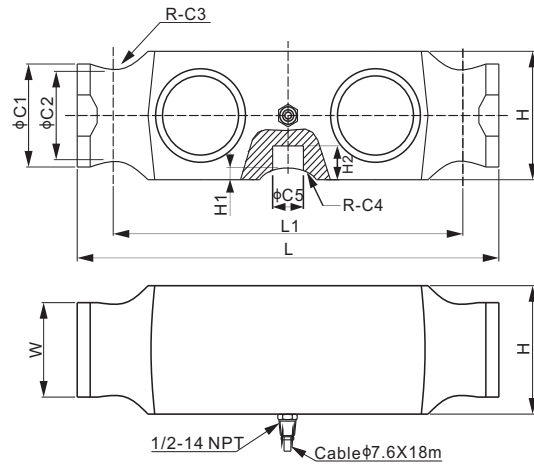


102RH



Alloy Steel



DOUBLE ENDED BEAMS

DIMENSIONS

RATED CAPACITY	C1	C2	C3	C4	C5	H	H1	H2	L	L1	W
Klb/inches											
50-65	2.40	2.06	1.00	1.00	0.75	2.99	0.28	0.79	10.25	8.50	2.20
75-125	2.40	2.06	1.00	1.00	0.75	2.99	0.28	0.79	10.25	8.50	2.20
t/mm											
10; 15	40.0	30.0	19.0	19.0	16.0	49.3	5.7	13.7	220.0	170.0	36.0

SPECIFICATIONS

Full Scale Output	3.0 mV/V \pm 0.25%	Recommended Excitation	10V (15V Maximum)
Zero Balance	\pm 0.02 mV/V	Insulation Resistance	>2 [50V DC] G Ω
Non-linearity	< \pm 0.023%	Compensated Temperature Range	-10°C to 50°C / 14°F to 122°F
Repeatability	< \pm 0.017%	Safe Overload	150% of full scale
Hysteresis Error	< \pm 0.023%	Breaking Overload	300% of full scale
Creep in 30 min.	< \pm 0.023%	Seal Type / IP Rating	Welded Seal / IP68
Input Resistance	700 Ω \pm 10	Cable Color Code	Exc+ Red Exc- Black
Output Resistance	700 Ω \pm 5		Sig+ Green Sig- White
Element Material	Alloy Steel, Nickel Plated		Shield Bare

PART NUMBER*

Rated Capacity	Part No.	Weight (kg) Approx.
10t.....	102RH-10t.....	4.0
15t.....	102RH-15t.....	4.0
50Klb	102RH-50Klb	8.6
65Klb	102RH-65Klb	8.6
75Klb	102RH-CH-75Klb.....	8.6
100Klb	102RH-CH-100Klb.....	8.6
125Klb	102RH-CH-125Klb.....	9.2

* No center hole version (no ϕ C5)

100Klb	102RH-100Klb.....	8.6
125Klb	102RH-125Klb.....	9.2

* Interchange with 100Klb of Rice Lake RL 75233 (no center hole) only.

50Klb-125Klb: NTEP 1:10 000 Class III L, Multiple Cell

11t-15t: OIML MAA C4, Y=15 000

* ATEX, FM, IECEx approved versions carry the "-Ex" suffix.

INTERCHANGEABLE REFERENCE

Manufacturer	Model
Coti Global.....	CG-5223
Rice Lake.....	RL75223
Vishay Revere Transducers	5223
Vishay Sensortronics	65040-1127W