

BG



BGC



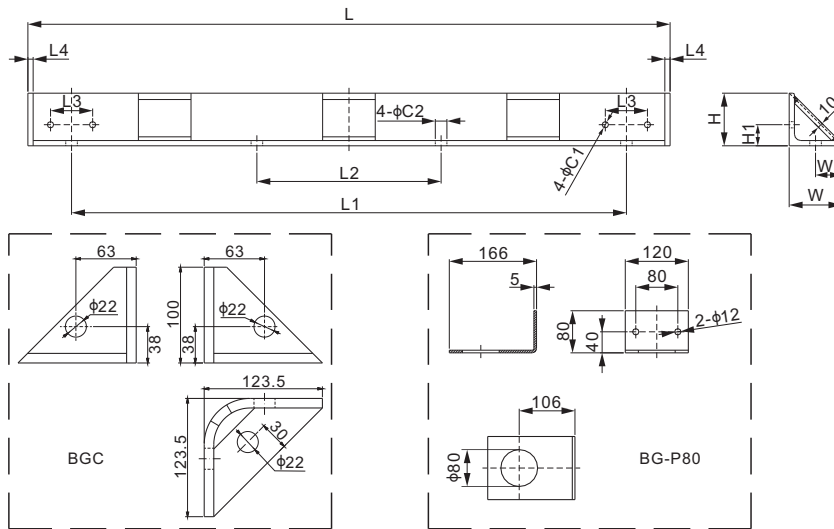
BGC (Bumper Guard Corner) to be ordered separately.

Features:

- Heavy duty mild steel
- Surface coated with high quality yellow paint

Bumper Guard Kit Includes:

- 1 piece x bumper guard bar
- 2 pieces x L-shape base mounting plates (item code: BG-P80)
- 4 pieces x M10X30mm nuts and bolts



DIMENSIONS

PART NUMBER	C1	C2	H	H1	L	L1	L2	L3	L4	W	W1	Weight (kg) Approx.
inches												
BG-36C	0.47	0.87	3.94	1.57	35.98	29.53	9.84	3.15	0.39	3.94	1.97	-
BG-48C	0.47	0.87	3.94	1.57	47.99	41.50	13.78	3.15	0.39	3.94	1.97	21.6
BG-59C	0.47	0.87	3.94	1.57	59.06	51.18	17.32	3.15	0.39	3.94	1.97	-
mm (conversion of above dimensions)												
BG-36C	12.0	22.0	100	40.0	914	750	250.0	80.0	10.0	100	50.0	-
BG-48C	12.0	22.0	100	40.0	1219	1054	350.0	80.0	10.0	100	50.0	21.6
BG-59C	12.0	22.0	100	40.0	1500	1300	440.0	80.0	10.0	100	50.0	-