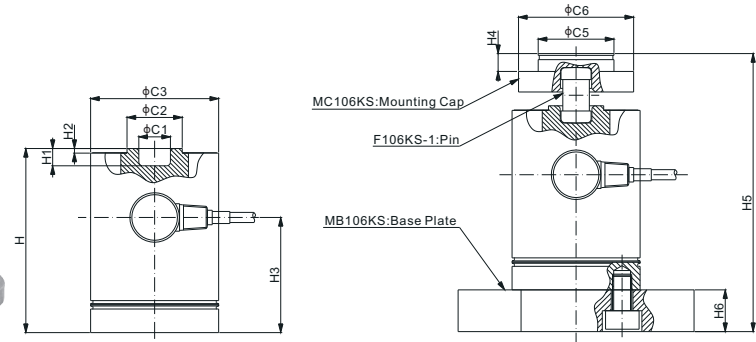


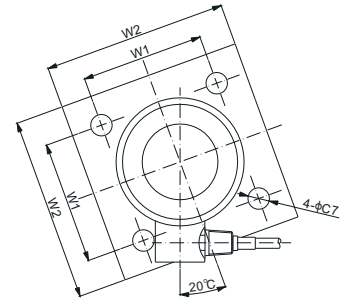
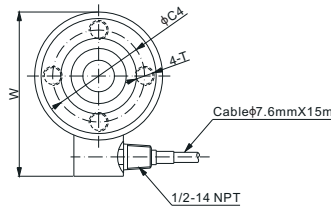
# 106KS

## Stainless Steel



### CE RoHS

Mounting hardware to be ordered separately.



- Material of MC106KS & F106KS-1 is 17-4PH stainless steel;  
- Material of MB106KS is 304 stainless steel

### DIMENSIONS

RATED CAPACITY	C1	C2	C3	C4	C5	C6	C7	H	H1	H2	H3	H4	H5	H6	W	W1	W2	T
<b>Klb/inches</b>																		
50	1.03	1.80	4.17	3.00	2.47	3.75	0.70	6.00	0.56	0.15	3.75	0.58	9.70	2.00	5.35	4.00	6.00	5/8-18 UNF Depth13
100	1.54	2.28	5.51	4.00	2.70	3.75	0.82	8.12	0.83	0.20	4.84	0.58	12.71	2.00	6.69	6.00	8.00	3/4-16 UNF Depth20
<b>kg/mm</b> (conversion of above dimensions)																		
22,679.6	26.2	45.7	106.0	76.2	62.7	95.3	17.8	152.4	14.3	3.8	95.3	14.8	246.4	50.8	136.0	101.6	152.4	5/8-18 UNF Depth0.5
45,359.2	39.0	57.9	140.0	101.6	68.6	95.3	20.8	206.2	21.0	5.1	123.0	14.8	322.8	50.8	170.0	152.4	203.2	3/4-16 UNF Depth0.8

### SPECIFICATIONS

<b>Full Scale Output</b>	2.0 mV/V $\pm$ 0.25%	<b>Recommended Excitation</b>	10V (15V Maximum)
<b>Zero Balance</b>	$\pm$ 0.02 mV/V	<b>Insulation Resistance</b>	>2 [ 50V DC ] G $\Omega$
<b>Non-linearity</b>	< $\pm$ 0.050%	<b>Compensated Temperature Range</b>	-10°C to 50°C / 14°F to 122°F
<b>Repeatability</b>	< $\pm$ 0.010%	<b>Safe Overload</b>	150% of full scale
<b>Hysteresis Error</b>	< $\pm$ 0.060%	<b>Breaking Overload</b>	300% of full scale
<b>Creep in 30 min.</b>	< $\pm$ 0.030%	<b>Seal Type / IP Rating</b>	Welded Seal / IP68
<b>Input Resistance</b>	700 $\Omega$ $\pm$ 20	<b>Cable Color Code</b>	Exc+ Red      Exc- Black
<b>Output Resistance</b>	700 $\Omega$ $\pm$ 5		Sig+ Green    Sig- White
<b>Element Material</b>	17-4PH Stainless Steel		Shield Bare

### PART NUMBER

Load Cell	Rated Capacity	Part No.	Weight (kg) Approx.
50Klb.....	106KS-50Klb.....	6.3	
100Klb.....	106KS-100Klb.....	13.4	
Mounting Hardware	Load Cell Capacity	Part No.	Weight (kg) Approx.
Mounting Cap.....	50Klb.....	MC106KS-50Klb.....	-
	100Klb.....	MC106KS-100Klb.....	1.2
Pin.....	50Klb.....	F106KS-1-50Klb.....	-
	100Klb.....	F106KS-1-100Klb.....	0.5
Base Plate.....	50Klb.....	MB106KS-50Klb.....	-
	100Klb.....	MB106KS-100Klb.....	15.2

### INTERCHANGEABLE PRODUCTS

Manufacturer	Model
Coti Global.....	CG-CC22
Mettler-Toledo.....	B10883600A
Mettler-Toledo.....	B10887700A
Totalcomp.....	T752