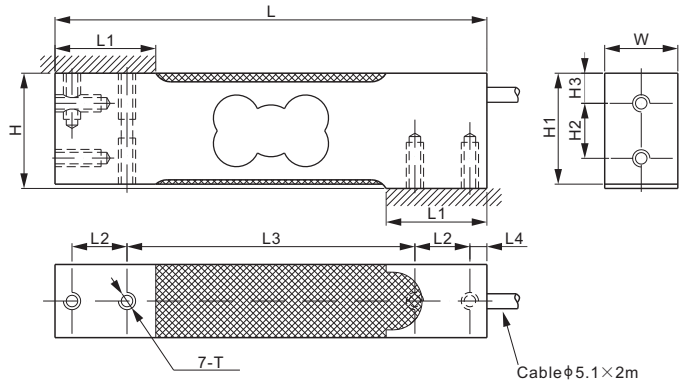
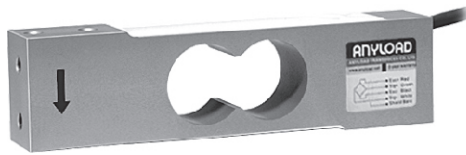


108TA; 108TAUN



Aluminum



DIMENSIONS

RATED CAPACITY	H	H1	H2	H3	L	L1	L2	L3	L4	W	T
108TA: kg/mm 3-200	40.0	38.5	19.1	10.5	150.0	35.0	19.1	100.0	5.9	25.4	M6 Depth 16
lb/inches (conversion of above dimensions) 6.61-440.92	1.57	1.52	0.75	0.41	5.91	1.38	0.75	3.94	0.23	1.00	M6 Depth 0.6
108TAUN: kg/mm 3-200	40.0	38.5	19.1	10.5	150.0	35.0	19.1	100.0	5.9	25.4	1/4-20UNC-2B Depth 16
lb/inches (conversion of above dimensions) 6.61-440.92	1.57	1.52	0.75	0.41	5.91	1.38	0.75	3.94	0.23	1.00	1/4-20UNC-2B Depth 0.6

SPECIFICATIONS

Type	YZ108	Recommended Excitation	10V (15V Maximum)
Full Scale Output	2.0 ± 10% mV/V	Reference Max. Platform Size	400 × 450 mm
Zero Balance	± 0.02 mV/V	Insulation Resistance	> 2 [50V DC] GΩ
Non-linearity	< ± 0.017%	Nominal Temperature Range	-10°C to 40°C / 14°F to 104°F
Repeatability	< ± 0.017%	Safe Overload	150% of full scale
Hysteresis Error	< ± 0.017%	Breaking Overload	300% of full scale
Creep in 30 min.	< ± 0.023%	Seal Type / IP Rating	Environmentally Sealed / IP66
Input Resistance	415 Ω ± 15	Cable Color Code	Exc+ Red Exc- Black
Output Resistance	350 Ω ± 3		Sig+ Green Sig- White
Element Material	Aluminum		Shield Bare

PART NUMBER

Rated Capacity	Part No.	Shipping Weight (kg) Approx.
3kg	108TA-3kg	0.4
	108TAUN-3kg	0.4
5kg	108TA-5kg	0.4
	108TAUN-5kg	0.4
7kg	108TA-7kg	0.4
	108TAUN-7kg	0.4
10kg	108TA-10kg	0.4
	108TAUN-10kg	0.4
15kg	108TA-15kg	0.4
	108TAUN-15kg	0.4
20kg	108TA-20kg	0.4
	108TAUN-20kg	0.4
30kg	108TA-30kg	0.4
	108TAUN-30kg	0.4
50kg	108TA-50kg	0.4
	108TAUN-50kg	0.4
75kg	108TA-75kg	0.4
	108TAUN-75kg	0.4
100kg	108TA-100kg	0.4
	108TAUN-100kg	0.4
150kg	108TA-150kg	0.4
	108TAUN-150kg	0.4
200kg	108TA-200kg	0.4
	108TAUN-200kg	0.4

INTERCHANGEABLE PRODUCTS

Manufacturer	Model
108TA	
Flintec	PC42 (20-150kg)*
Vishay Revere Transducers	642C
108TAUN	
Cardinal	TSP
Coti Global	CG-42
HBM	SP4
Rice Lake	RL1042
Rice Lake	RLSP4
Vishay Revere Transducers	642
Vishay TedeA-Huntleigh	1042

* Flintec PC4 has a M8 mounting hole



20kg-200kg: NTEP 1:5 000 Class III, Single Cell



3kg-200kg: OIML C3