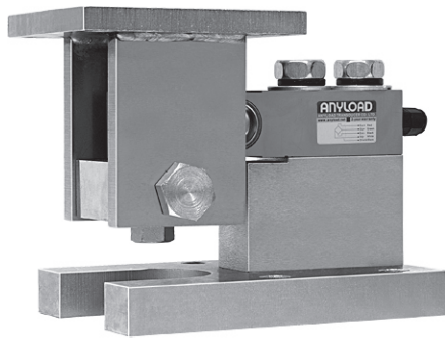


# 563YSM2

## Stainless Steel



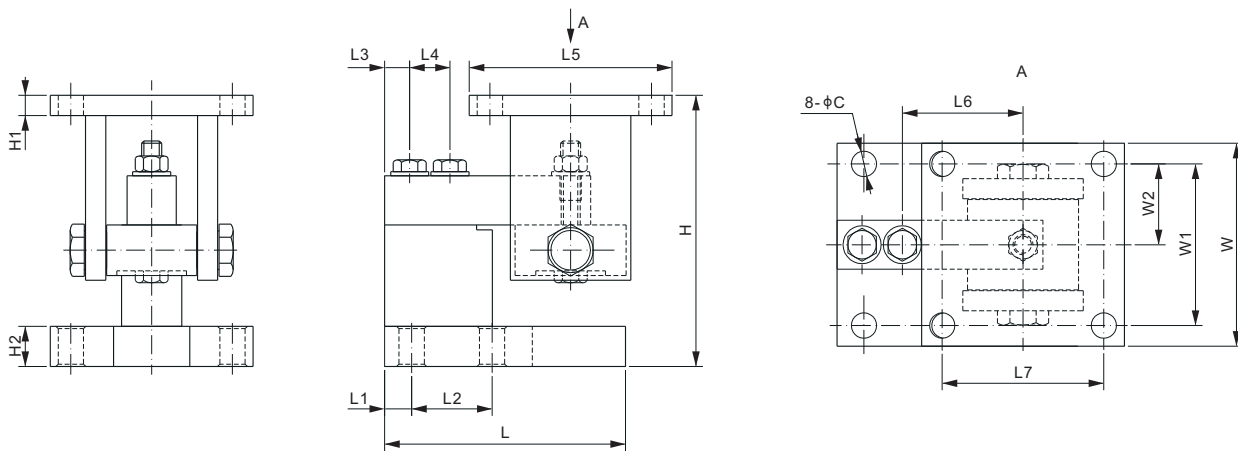
### Features:

- Assembles: 563YS single ended beam load cell
- Capacities: 500lb-SE5Klb/250kg-2t
- Center pivoted and self-checking
- Tension load applied to the load cell is converted to compression load application for the weigh module

Load Cell Certifications:



Load Cell Not Included.



### DIMENSIONS

| LOAD CELL CAPACITY | C    | H <sub>Min/Max</sub> | H1   | H2   | L     | L1   | L2   | L3   | L4   | L5    | L6   | L7    | W     | W1    | W2   |
|--------------------|------|----------------------|------|------|-------|------|------|------|------|-------|------|-------|-------|-------|------|
| <b>lb/inches</b>   |      |                      |      |      |       |      |      |      |      |       |      |       |       |       |      |
| 500-4,000;SE5,000  | 0.63 | 6.50/6.69            | 0.50 | 1.00 | 5.98  | 0.67 | 2.00 | 0.62 | 1.00 | 5.04  | 3.00 | 4.02  | 5.04  | 4.02  | 2.01 |
| <b>kg/mm</b>       |      |                      |      |      |       |      |      |      |      |       |      |       |       |       |      |
| 250-2,000          | 16.0 | 165.0/170.0          | 12.7 | 25.4 | 152.0 | 17.0 | 50.8 | 15.8 | 25.4 | 128.0 | 76.2 | 102.1 | 128.0 | 102.1 | 51.1 |

SE refers to small envelope

### PART NUMBER

| Load Cell Capacity | Part No.                  | Shipping Weight (kg) Approx. |
|--------------------|---------------------------|------------------------------|
| 500lb-SE5Klb.....  | 563YSM2-(0.5-SE5)Klb..... | 9.1                          |
| 250kg-2t.....      | 563YSM2-(250kg-2t).....   | 9.1                          |

### INTERCHANGEABLE PRODUCTS

| Manufacturer   | Model   |
|----------------|---------|
| Rice Lake..... | RL1800* |

\* H<sub>Min/Max</sub> of RL1800 is 5.25/5.56 inch for 500lb to SE5Klb

WEIGH MODULES